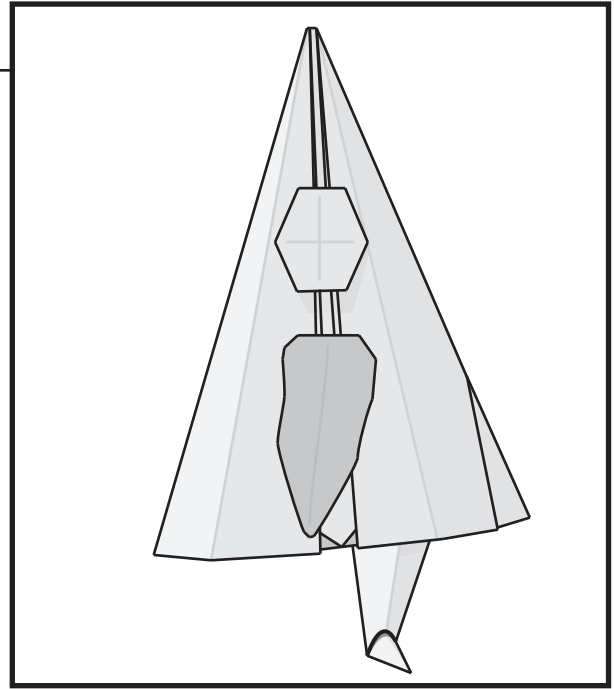


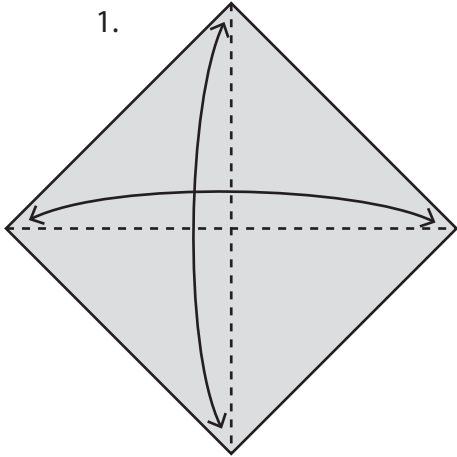
Karakasa Obake

Model by:
Alex Satsukawa

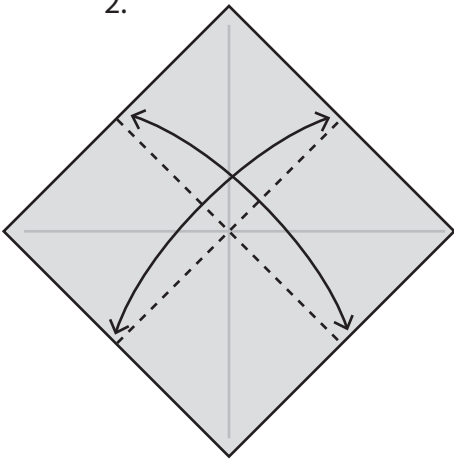
Diagrammed by Tadashi Mori



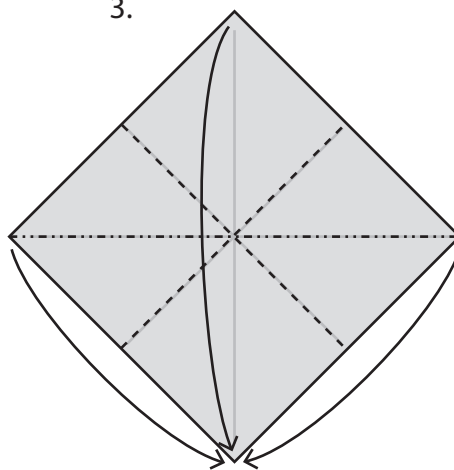
1.



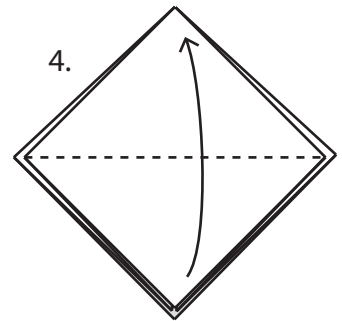
2.



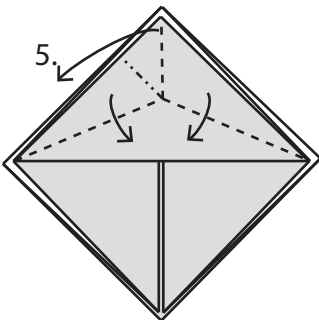
3.



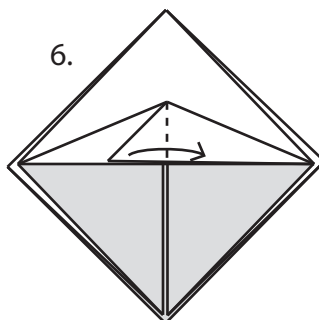
4.



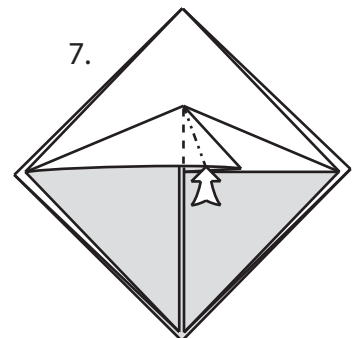
5.



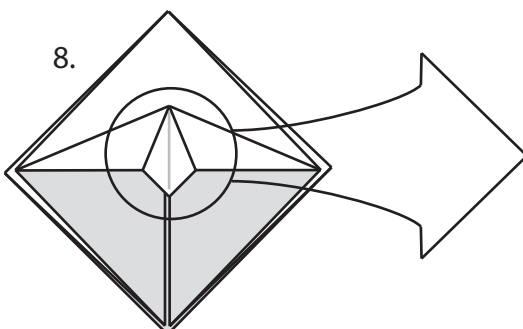
6.



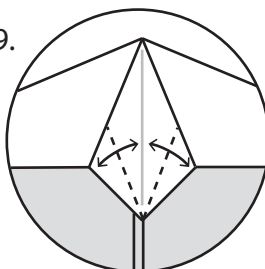
7.



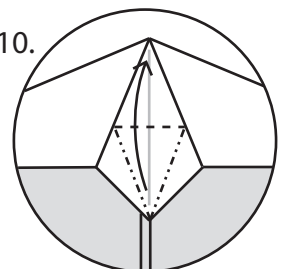
8.



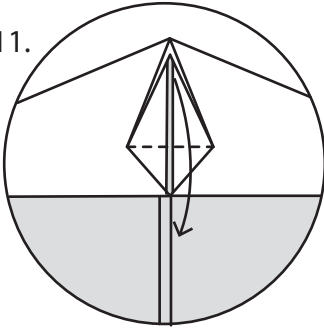
9.



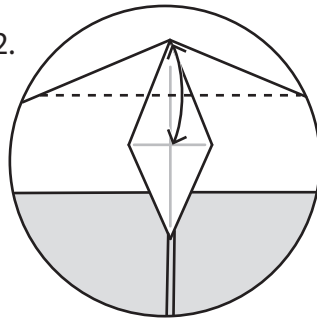
10.



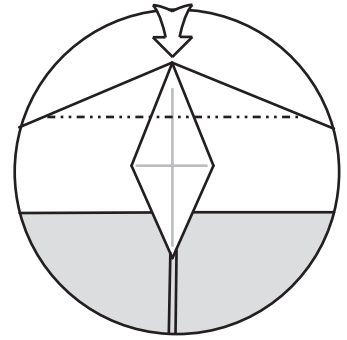
11.



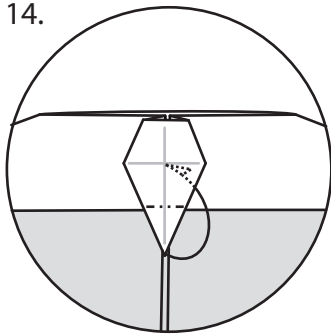
12.



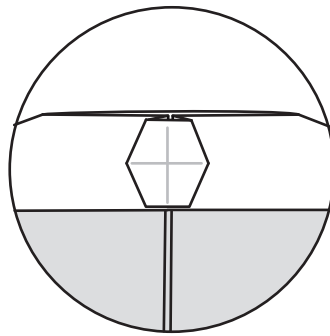
13. Open-sink fold



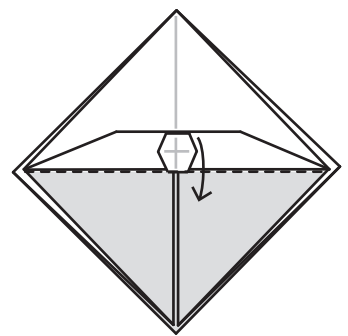
14.



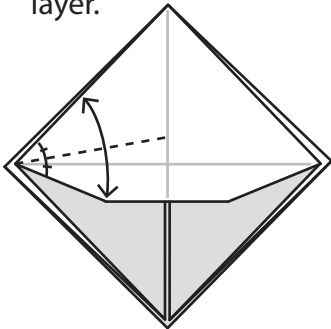
15. The next image will be zoomed out.



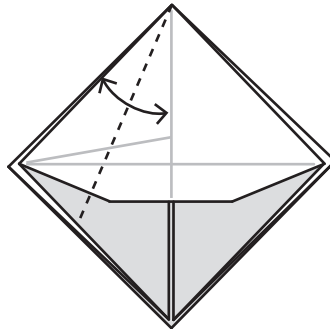
16.



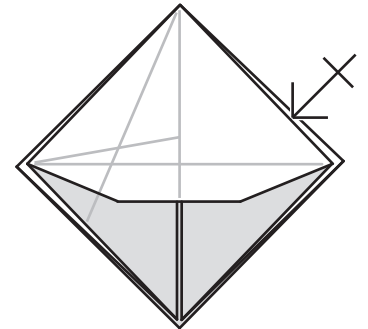
17. Fold only one layer.



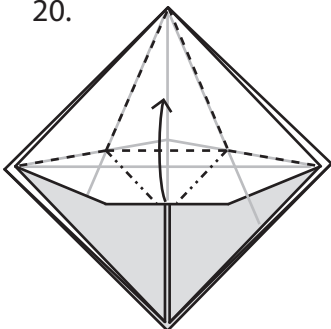
18.



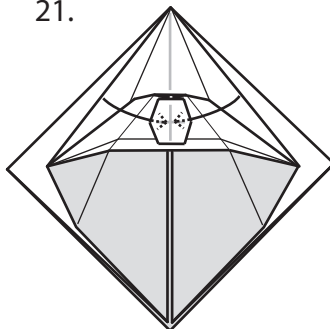
19. Repeat steps 17 - 18 on the other side.



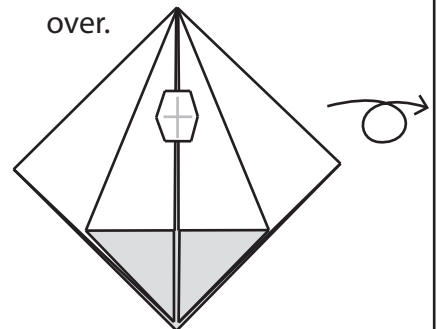
20.



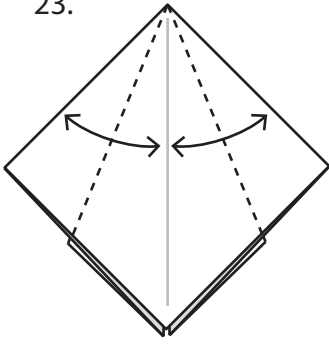
21.



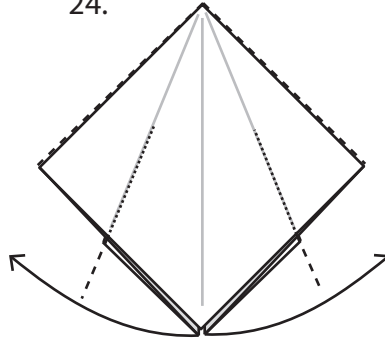
22. Turn the model over.



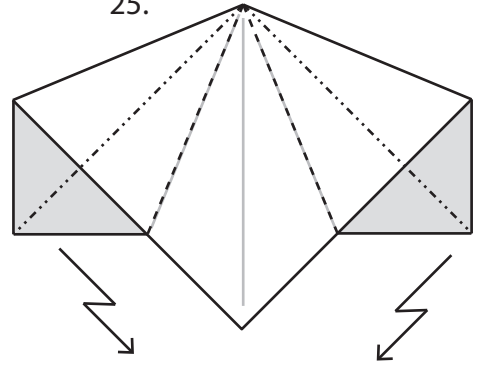
23.



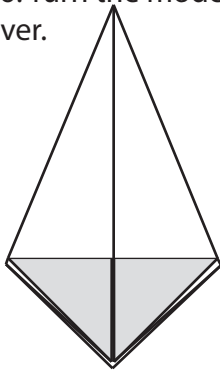
24.



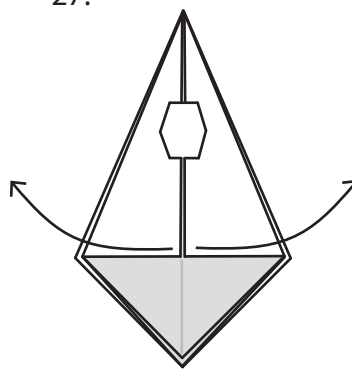
25.



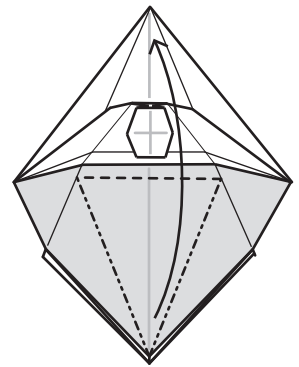
26. Turn the model over.



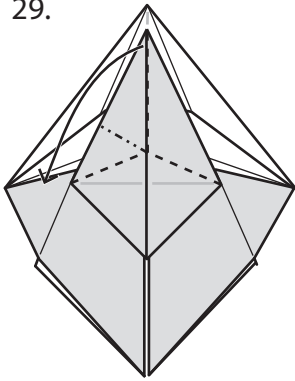
27.



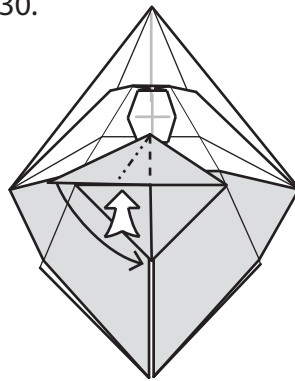
28.



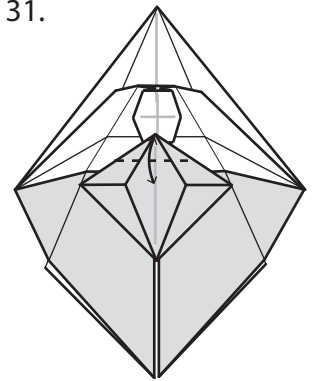
29.



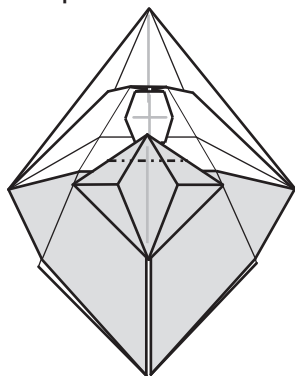
30.



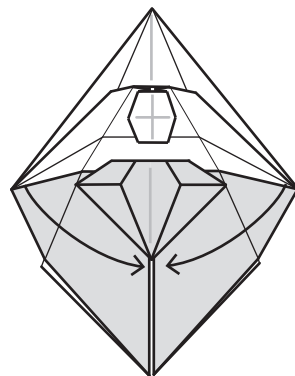
31.



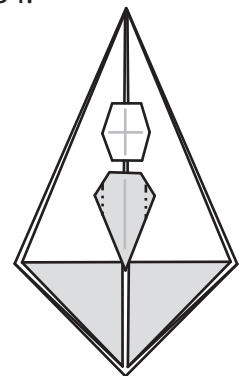
32. Open sink.



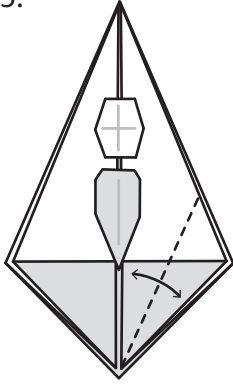
33.



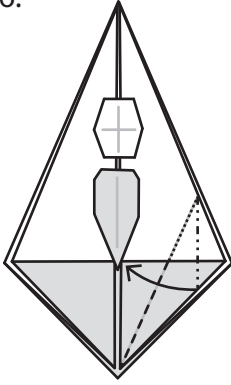
34.



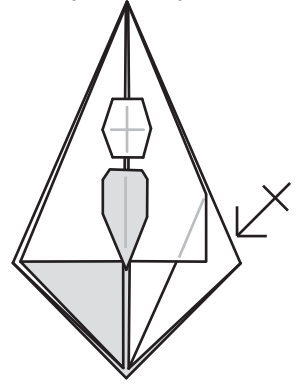
35.



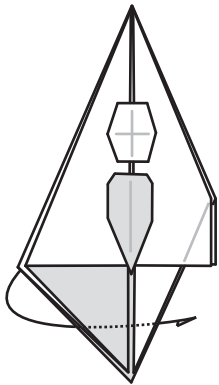
36.



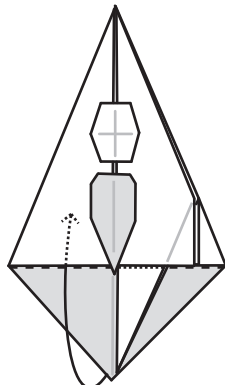
37. Repeat step 36



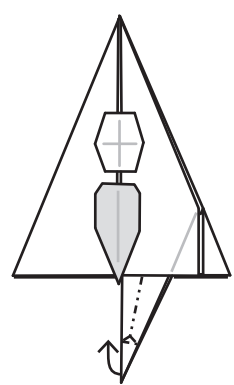
38.



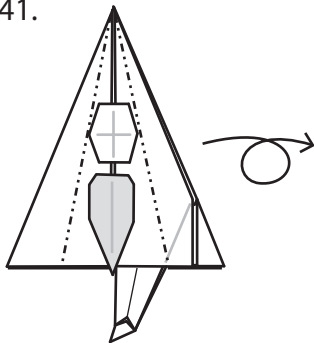
39.



40.



41.



42.

