

# Narsil Sword

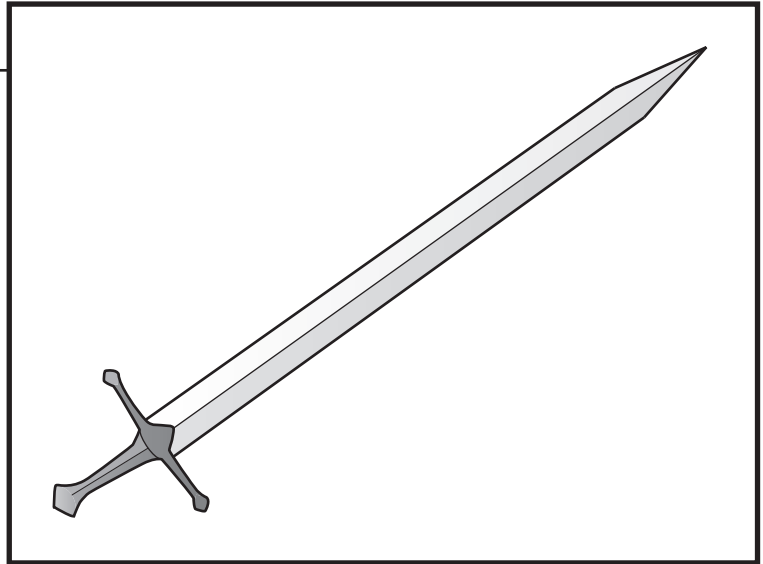
Tadashi Mori

[facebook.com/tadashiorigami](https://facebook.com/tadashiorigami)

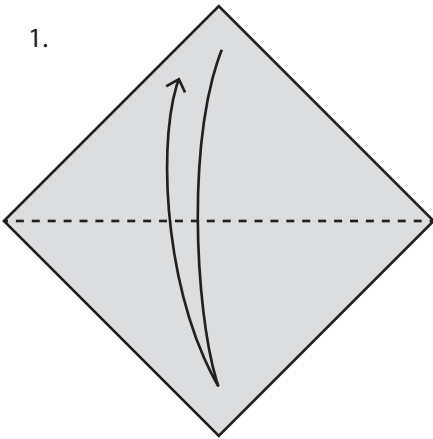
[youtube.com/tadashimori](https://youtube.com/tadashimori)

[origamiyard.com](https://origamiyard.com)

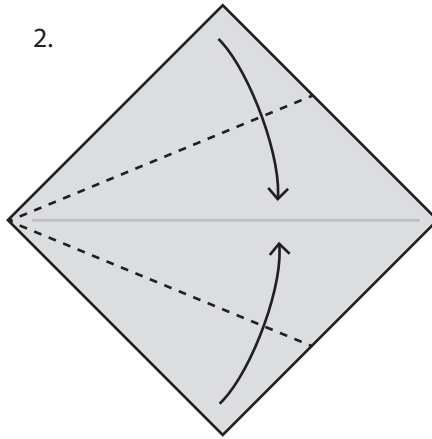
Recommended paper: Tissue foil



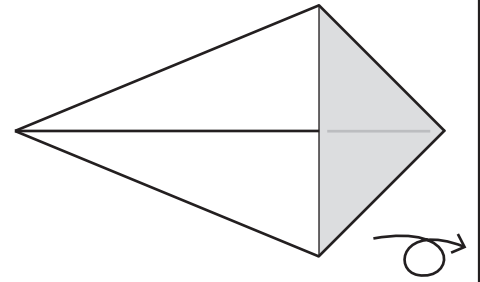
1.



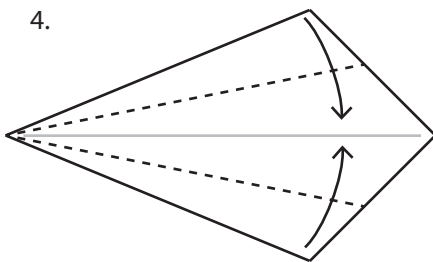
2.



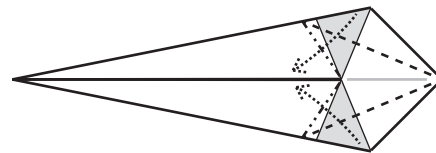
3.



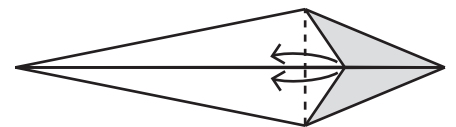
4.



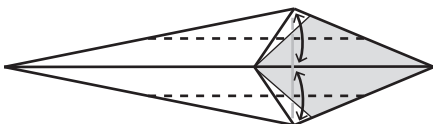
5.



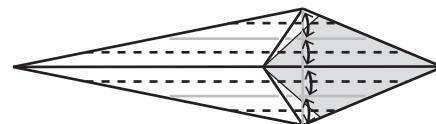
6.



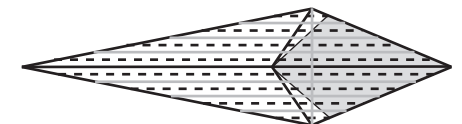
7.



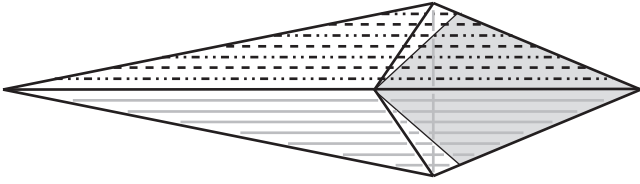
8.



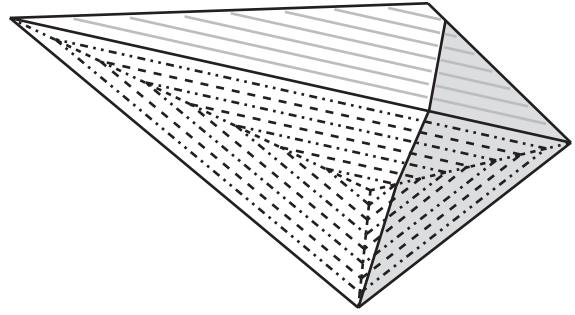
9.



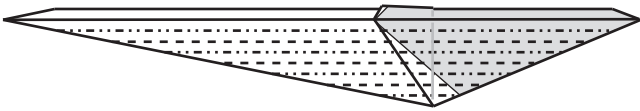
10. Make a sequence of sink folds. Open the model to make it easier



11. The model should look like this during the previous step.



12.



13.



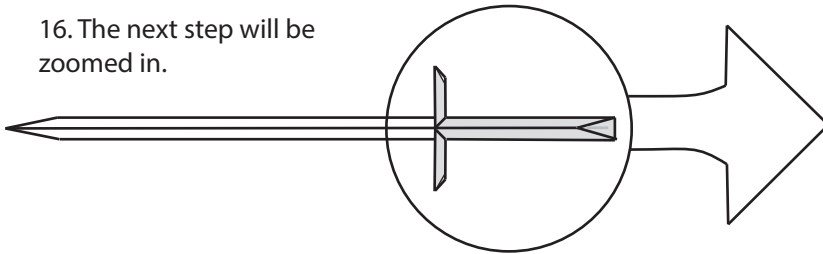
14.



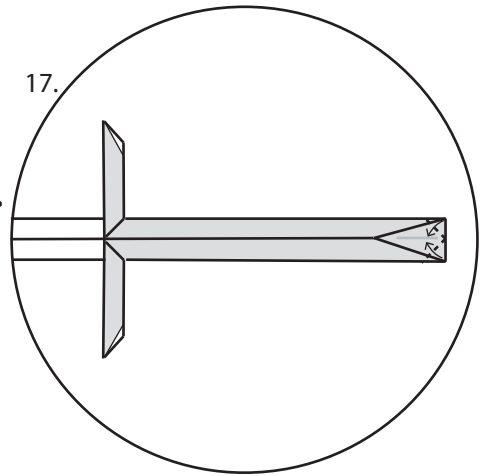
15.



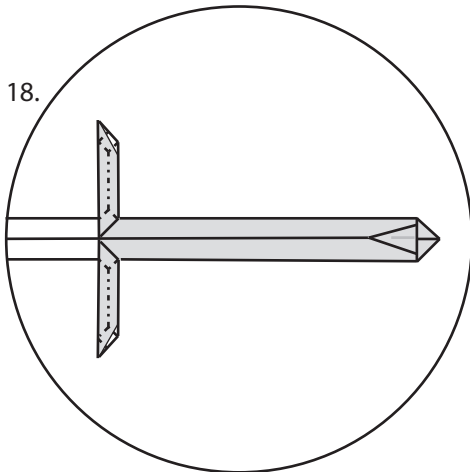
16. The next step will be zoomed in.



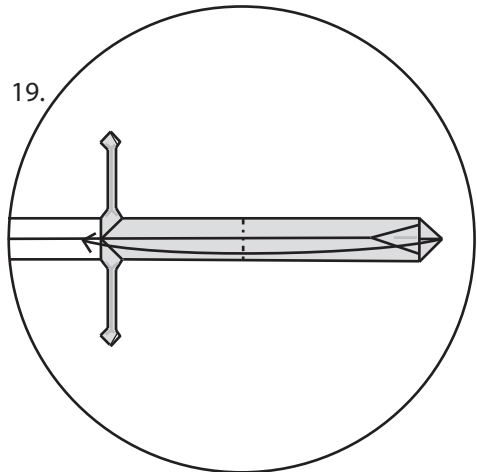
17.



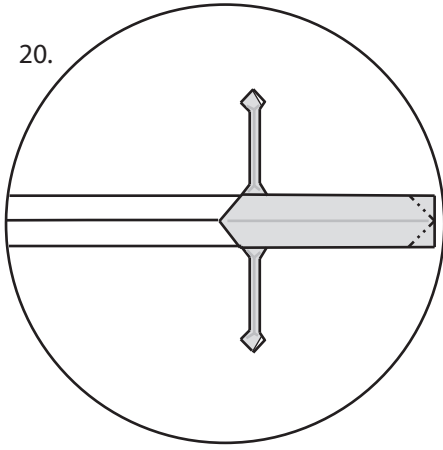
18.



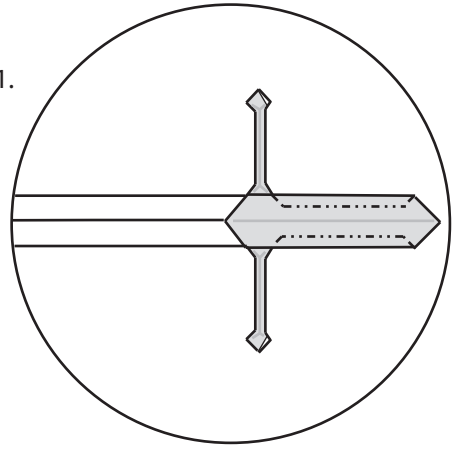
19.



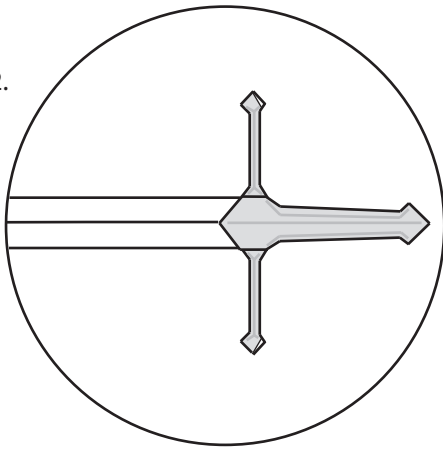
20.



21.



22.



23. Finished model!

